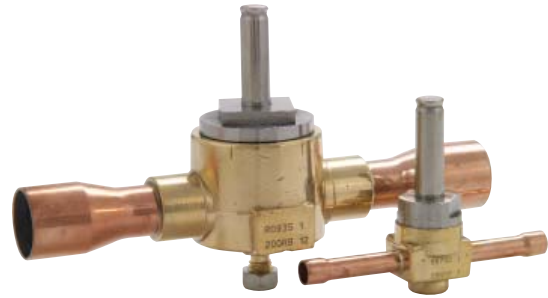


The 200RB is a pilot-operated, 2-way, normally closed valve. 200RB valves are used for liquid, discharge, or suction gas refrigerant service.

Features

- One coil fits all valve sizes
- Extended ends for easy installation (standard)
- Long-life molded coils
- PTFE O-ring for superior external sealing



Options

- Available in 8 orifice sizes
- Manual stem or mounting stud
- Bi-Flow operation-conversion either factory assembled or with kit (except 200RB 7,9 & 12)

Specifications

- Maximum fluid temperature: 250°F
- Maximum working pressure: 500 psig
- Minimum operating pressure drop: 2 psi
- MOPD: 300 psig
- UL/CUL file number: MP604

NOTE: Mounting enclosing tube more than 90° off vertical up position is not recommended.

Nomenclature example: 200RB 4T3M VLC

200R	B	4	T	3	M	VLC
Valve Series	Design Series	Port Size (in 1/16")	Connection Type F = SAE S = ODF P = NPTF T = Copper Extended Ends	Connection Size (In 1/8")	M = manual stem T = mounting stud (optional)	Coil*

*NOTE: Valves are shipped without the solenoid coils (VLC = Valve Less Coil). See coil assemblies for availability.

Ordering Information and Nominal* Liquid Capacity Table – Tons (kW)

PCN			Description	Connection Size	R-12	R-134a	R-22	R-407C	R-404A/R-507	R-502
Standard Valve	Mounting Stud ¹	Manual Stem ²								
053104	--	N/A	200RB 2 F 2	1/4 SAE	2.3 (8.1)	2.7 (9.5)	3.6 (12.7)	3.4 (12.0)	1.9 (6.7)	1.9 (6.7)
062611	--	N/A	200RB 2 F 3	3/8 SAE						
053105	053236	N/A	200RB 2 T 2	1/4 ODF						
053106	054170	N/A	200RB 2 T 3	3/8 ODF						
052725	--	--	200RB 3 F 2	1/4 SAE	3.0 (10.6)	3.6 (12.7)	4.8 (16.9)	4.5 (15.8)	2.5 (8.8)	2.6 (9.1)
052726	056438	--	200RB 3 F 3	3/8 SAE						
052727	055855	--	200RB 3 F 4	1/2 SAE						
049608	--	--	200RB 3 T 2	1/4 ODF						
049609	049585	065620	200RB 3 T 3	3/8 ODF						
049692	--	065621	200RB 3 T 4	1/2 ODF						
047506	047508	047507	200RB 4 F 3	3/8 SAE						
059728	047510	047509	200RB 4 P 3	3/8 NPTF						
047511	047513	047512	200RB 4 S 3	3/8 ODF X 1/2 ODM	5.0 (17.6)	6.0 (21.1)	8.0 (28.1)	7.5 (26.4)	4.2 (14.8)	4.2 (14.8)
047516	047515	047514	200RB 4 S 4	1/2 ODF X 5/8 ODM						
047517	049162	049186	200RB 4 T 3	3/8 ODF						
047518	049163	049187	200RB 4 T 4	1/2 ODF						
058950	058045	056518	200RB 4 T 5	5/8 ODF						
047519	047521	047520	200RB 5 F 4	1/2 SAE						
059729	047523	047522	200RB 5 F 5	5/8 SAE						
047524	047526	047525	200RB 5 S 4	1/2 ODF X 5/8 ODM						
049201	047528	047527	200RB 5 S 5	5/8 ODF	5.2 (18.3)	6.2 (21.8)	8.2 (28.8)	7.7 (27.1)	4.3 (15.1)	4.5 (15.8)
061227	054323	--	200RB 5 T 3	3/8 ODF						
057206	049164	049188	200RB 5 T 4	1/2 ODF						
059730	049165	049189	200RB 5 T 5	5/8 ODF						
059731	047531	047530	200RB 6 F 4	1/2 SAE	6.0 (21.1)	7.2 (25.3)	9.5 (33.4)	8.9 (31.3)	5.0 (17.6)	5.1 (17.9)
059732	047534	047533	200RB 6 F 5	5/8 SAE						
059733	047536	047535	200RB 6 P 3	3/8 NPTF						
047537	047539	047538	200RB 6 S 4	1/2 ODF X 5/8 ODM						
047540	047542	047541	200RB 6 S 5	5/8 ODF						
047544	047546	047545	200RB 6 T 4	1/2 ODF						
056766	047548	047547	200RB 6 T 5	5/8 ODF						
064037	--	--	200RB 7 S 5	5/8 ODF X 7/8 ODM						
064062	--	--	200RB 7 T 4	1/2 ODF	10.8 (38.0)	12.7 (44.7)	17.0 (59.8)	16.2 (57.0)	9.1 (32.0)	9.2 (32.4)
064063	064562	064267	200RB 7 T 5	5/8 ODF						
064282	064284	064283	200RB 7 T 7	7/8 ODF						
064762	064764	064763	200RB 9 T 5	5/8 ODF						
064645	064766	064765	200RB 9 T 7	7/8 ODF	19.6 (68.9)	23.6 (83.0)	30.5 (107.3)	29.0 (102.0)	16.4 (57.7)	16.2 (57.0)
064767	064769	064768	200RB 9 T 9	1 1/8 ODF						
064818	064820	064819	200RB 12 T 7	7/8 ODF						
064821	064823	064822	200RB 12 T 9	1 1/8 ODF						
					22.5 (79.1)	27.1 (95.3)	34.9 (122.7)	33.2 (116.8)	18.8 (66.1)	18.5 (65.1)

¹ Add "T" to the end of description for Mounting Stud

² Add "M" to the end of the description for Manual Stem

Capacities based on 100°F liquid and 40°F saturated evaporator per ARI standard 760-87.

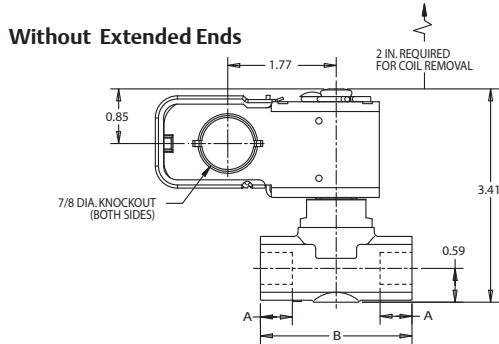
All ratings are based on largest connection size.

*See Extended Capacity Tables for ratings at a wide range of conditions.

Ordering Information and Nominal Liquid Capacity Table for Bi-Flow Solenoids - Tons (kW)

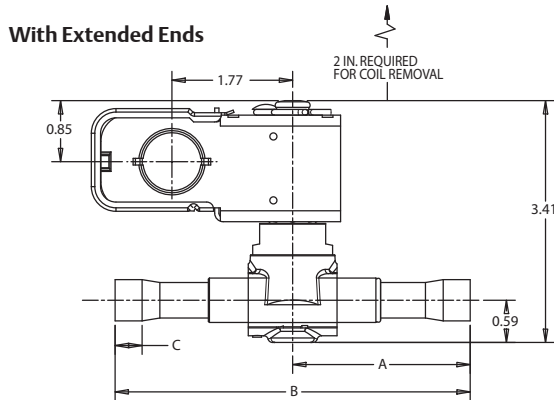
PCN			Description	Connection Size	R-12	R-134a	R-22	R-407C	R-404A/R-507	R-502
Standard Valve	Mounting Stud	Manual Stem								
009689	--	--	200RB GS-1925 3 T 3	3/8 ODF	3.7 (13.0)	4.4 (15.6)	4.8 (17.0)	4.5 (16.0)	3.2 (11.3)	3.1 (11.0)
009690	--	--	200RB GS-1926 4 T 3	3/8 ODF	4.4 (15.6)	5.3 (18.6)	5.6 (19.8)	5.3 (18.8)	3.7 (13.1)	3.6 (12.7)
009692	--	--	200RB GS-1928 5 T 4	1/2 ODF	6.5 (23.0)	7.8 (27.7)	8.2 (29.0)	7.8 (27.6)	54. (19.1)	5.3 (18.8)
009693	--	--	200RB GS-1929 5 T 5	5/8 ODF						
009694	--	--	200RB GS-1930 6 T 5	5/8 ODF	7.8 (27.7)	9.4 (33.4)	10.0 (35.4)	9.5 (33.6)	6.5 (23.0)	6.5 (23.0)

200RB2-6 Dimensional Data (in)



Without Extended Ends

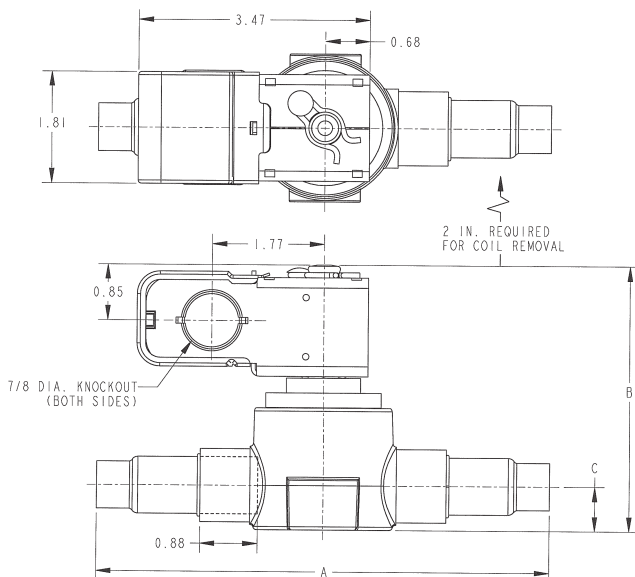
Valve	Port Size	Conn. Size & Style	A	B
200RB 4P2	1/4	1/4 NPTF	-	2.37
200RB 4P3		3/8 NPTF		
200RB 4S3		3/8 ODF x 1/2 ODM	0.50	
200RB 4S4		1/2 ODF x 5/8 ODM	0.56	
200RB 4F3	5/16	3/8 SAE (male flare)	-	3.12
200RB 5P3		3/8 NPTF	0.56	2.37
200RB 5S4		1/2 ODF x 5/8 ODM		
200RB 5S5		5/8 ODF		
200RB 5F4	3/8	1/2 SAE (male flare)	-	3.50
200RB 5F5		5/8 SAE (male flare)	-	3.75
200RB 6P3		3/8 NPTF	0.56	2.37
200RB 6S4	1/2 ODF x 5/8 ODM			
200RB 6S5	5/8 ODF	-	3.50	
200RB 6F4	1/2 SAE (male flare)			
200RB 6F5	5/8 SAE (male flare)			



With Extended Ends

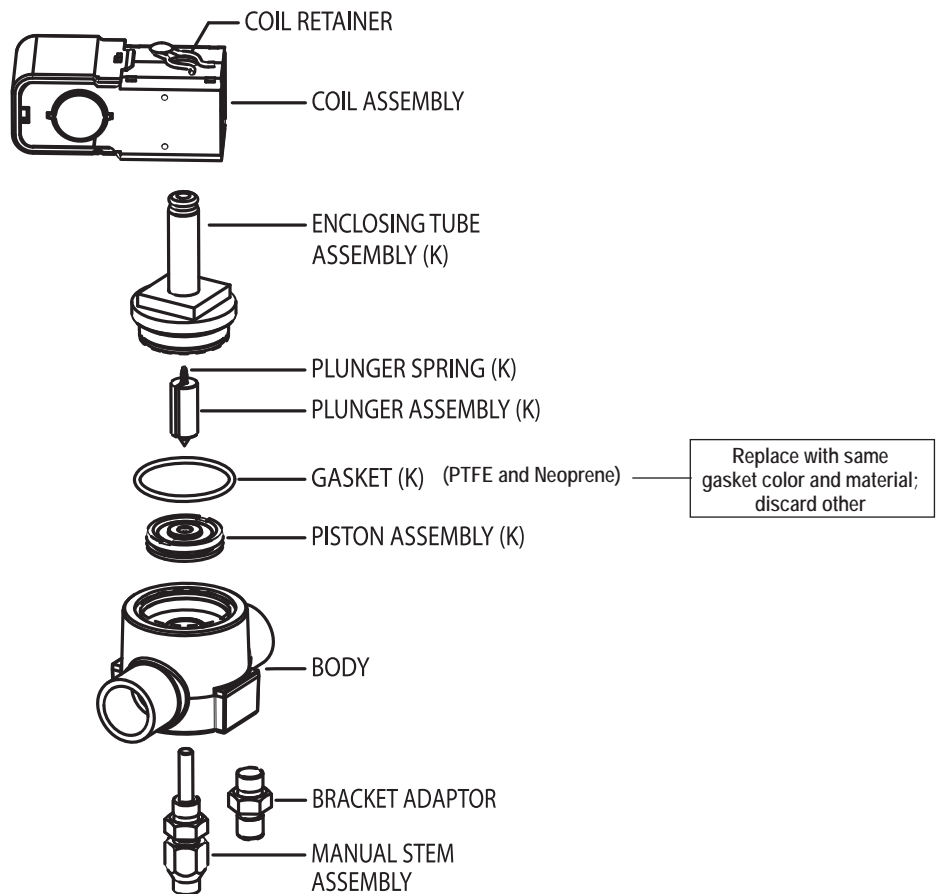
Valve	Port Size	Conn. Size & Style	A	B	C
200RB 2T2	1/8	1/4 ODF	2.42	4.62	0.25
200RB 2T3		3/8 ODF			0.31
200RB 3T2	3/16	1/4 ODF			0.25
200RB 3T3		3/8 ODF			0.31
200RB 3T4	1/4	1/2 ODF	2.50	5.00	0.38
200RB 4T4			5/8 ODF	3.25	6.50
200RB 4T5	5/16	3/8 ODF	2.31	4.62	0.31
200RB 5T3		1/2 ODF	2.50	5.00	0.38
200RB 5T4		5/8 ODF	3.25	6.50	0.50
200RB 5T5	3/8	3/8 ODF	2.31	4.62	0.31
200RB 6T3		1/2 ODF	2.50	5.00	0.38
200RB 6T4		5/8 ODF	3.25	6.50	0.50

200RB7, 9 and 12 Dimensional Data (in)



Valve	Port Size	Conn. Size & Style	A	B	C
200RB7S5	7/16	5/8 ODF x 7/8 ODM	2.98	3.69	0.53
200RB7T5		5/8 ODF x 5/8 ODF	6.88		
200RB7T7		7/8 ODF x 7/8 ODF	7.13		
200RB9T5	9/16	5/8 ODF x 5/8 ODF	6.88	4.05	0.68
200RB9T6		3/4 ODF x 3/4 ODF	7.38		
200RB9T7		7/8 ODF x 7/8 ODF	7.13		
200RB9T9	3/4	1 1/8 ODF x 1 1/8 ODF	8.50	8.50	0.68
200RB12T7		7/8 ODF x 7/8 ODF	7.50		
200RB12T9		1 1/8 ODF x 1 1/8 ODF	8.50		

Exploded View & Parts Kit Data



Valve Repair Kit
 "K" indicates part is supplied in valve repair kit **KS30386**. (PCN 066223)

Gasket Kit
 Gasket Kit **KG10025** (PCN 049190)
 (contains 12 pieces - each of PTFE and neoprene O-rings)

Coil Assembly
 See coil assemblies for availability.

Valve Kits

Valve	Complete Kit	PCN	Manual Opening Kit	PCN	Bi-Flow Kit	PCN	Gasket Kit	PCN
200RB2	KS30386	066223	N/A	N/A	KS30387	066224	KG10025	049190
200RB3	KS30386	066223	KS30377	065695	KS30387	066224	KG10025	049190
200RB4	KS30386	066223	KS30117	053959	KS30387	066224	KG10025	049190
200RB5	KS30386	066223	KS30117	053959	KS30387	066224	KG10025	049190
200RB6	KS30386	066223	KS30117	053959	KS30387	066224	KG10025	049190
200RB7	KS30354	064263	KS30361	064831	N/A	N/A	KG00002	064262
200RB9	KS30362	064825	KS30364	064832	N/A	N/A	KG00003	064830
200RB12	KS30365	064826	KS30364	064832	N/A	N/A	KG00004	064833

200RB Bi-Flow Conversion

Standard 200RB uni-directional valves can be converted to Bi-Flow operation by replacing the internal parts with the components in kit **KS30387** (PCN 066224). Unlike the standard valve which permits flow in one direction only when energized, the Bi-Flow version allows the valve to flow in either direction, depending on differential pressures, when energized. If the valve is not energized when flowing in the reverse direction, valve "flutter" will occur. Also, with the valve de-energized, a higher downstream pressure than upstream (back-flow) will force the valve open.

NOTE: A 200RB7, 200RB9 and 200RB12 cannot be converted to a Bi-Flow valve.